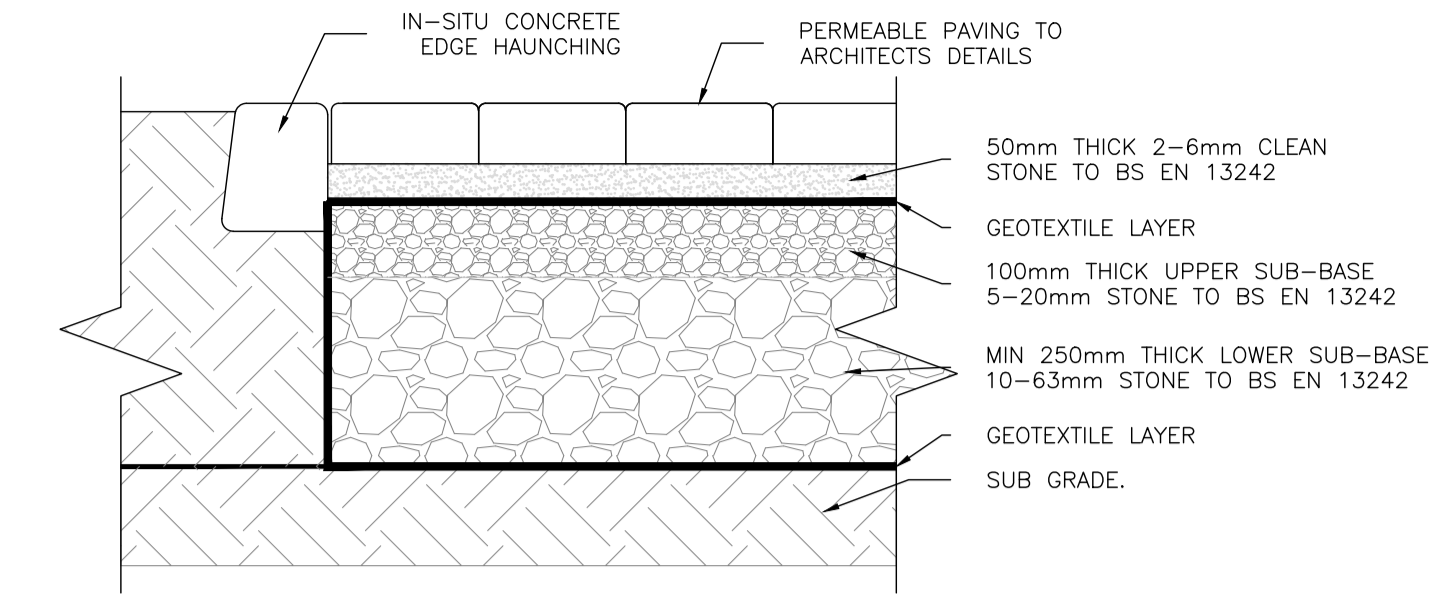


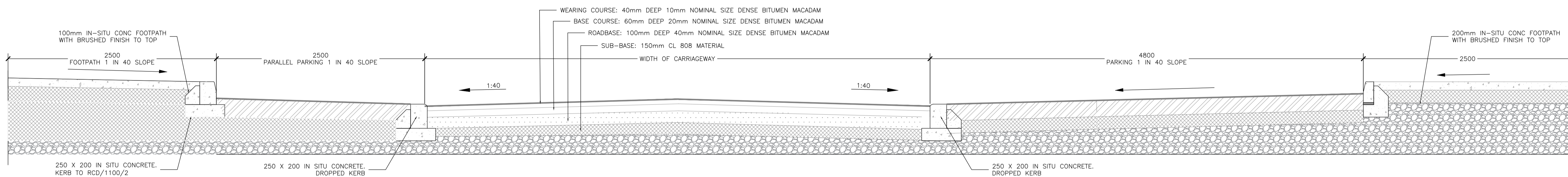
SECTION A-A

SCALE 1:25



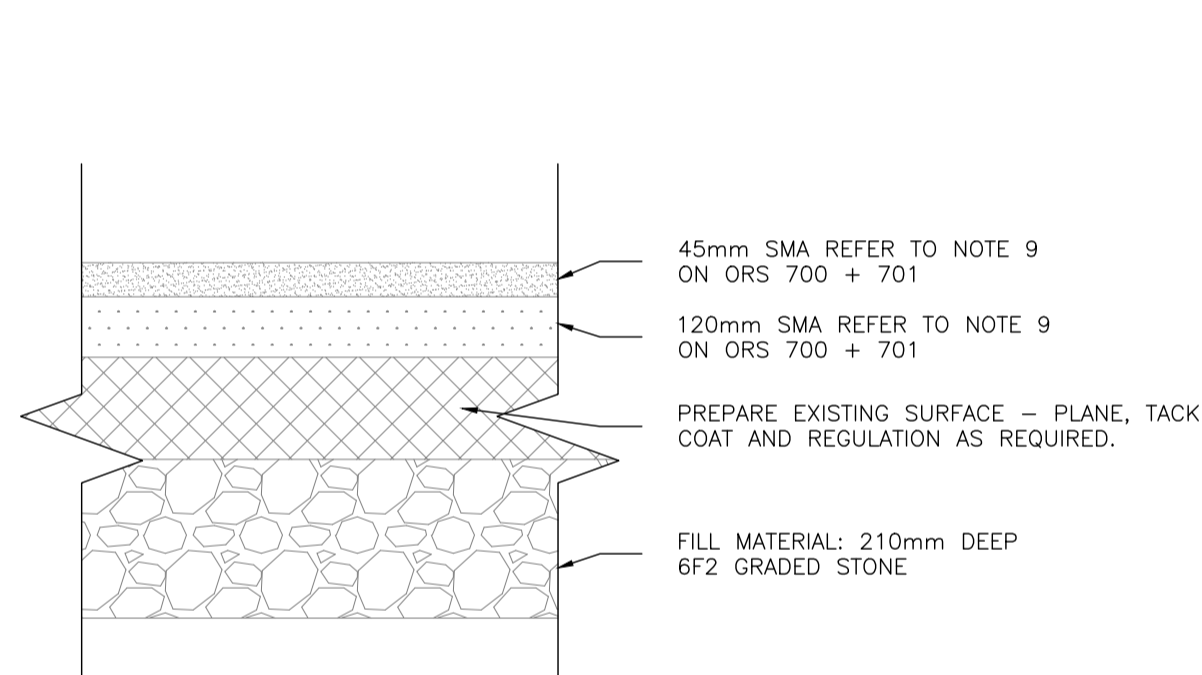
PERMEABLE PAVING BUILD-UP

SCALE 1:10



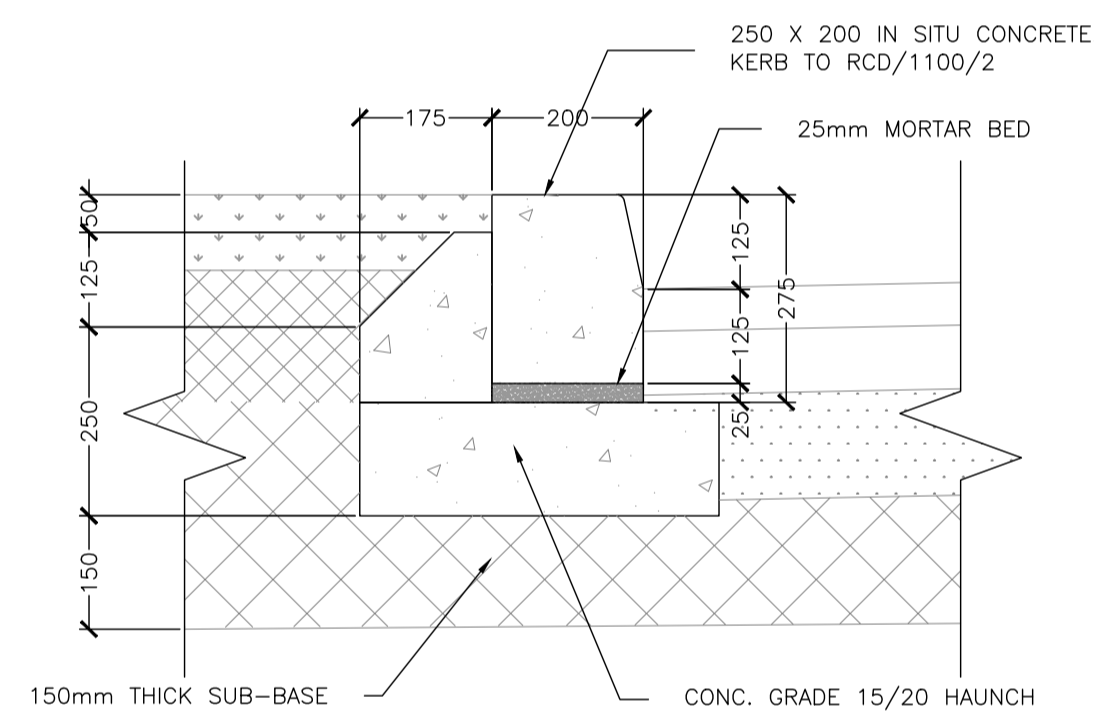
SECTION B-B

SCALE 1:25



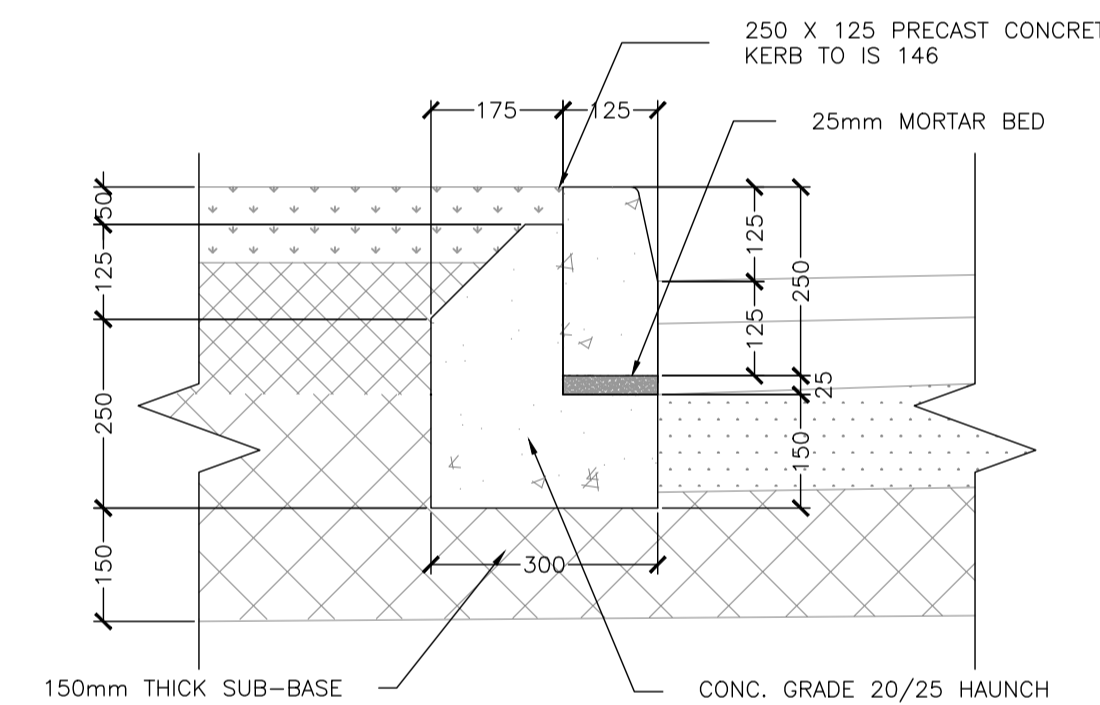
RAISED TABLE BUILD-UP

SCALE 1:10



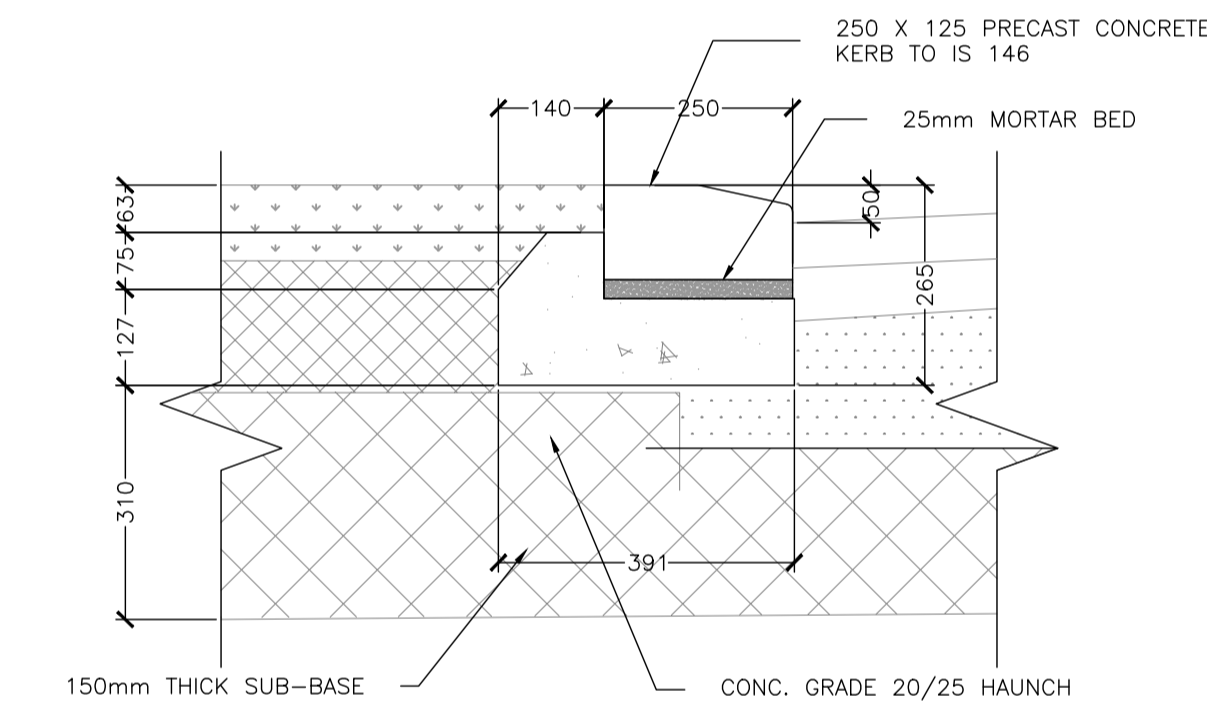
TYPICAL 250x200mm KERB DETAIL

SCALE 1:10



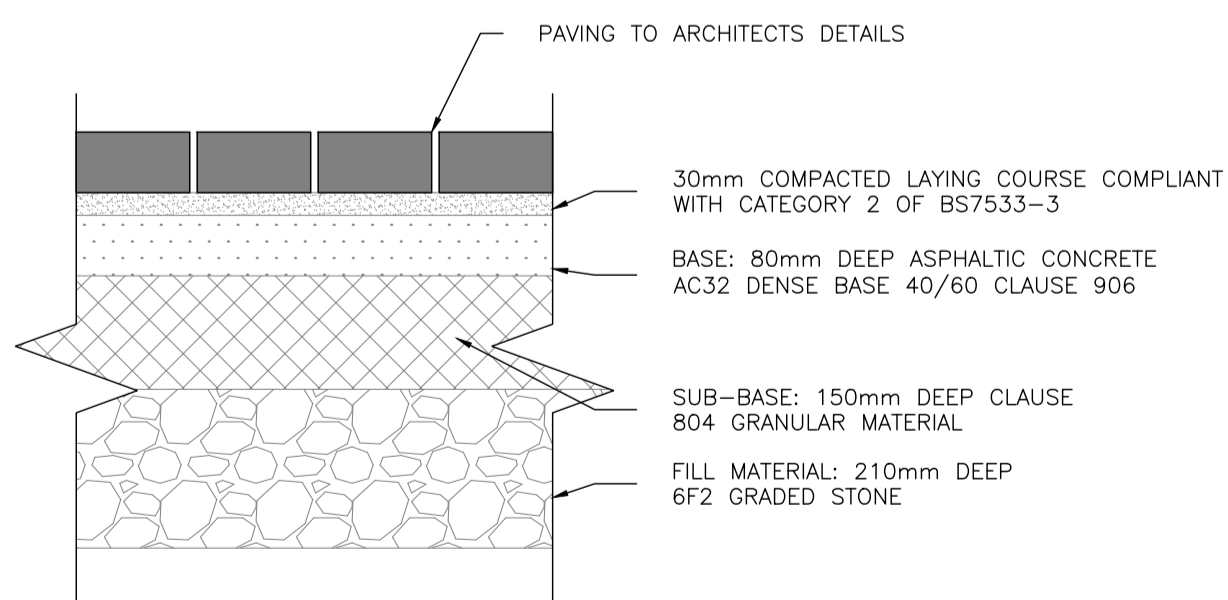
TYPICAL 250x125mm KERB DETAIL

SCALE 1:10



250x125mm SHALLOW KERB DETAIL

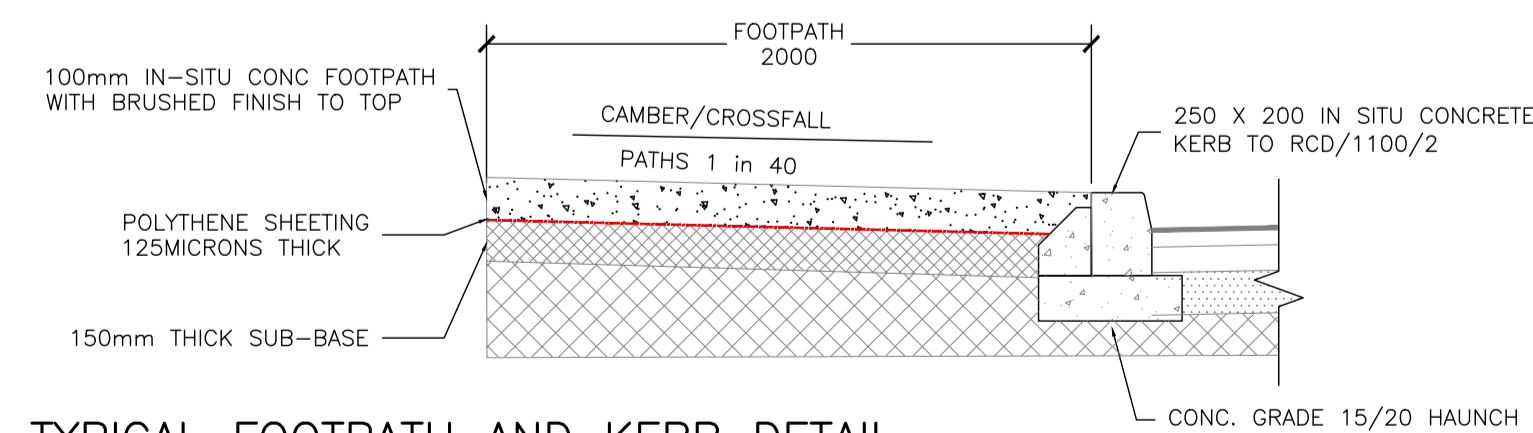
SCALE 1:10



BLOCK PAVING BUILD-UP

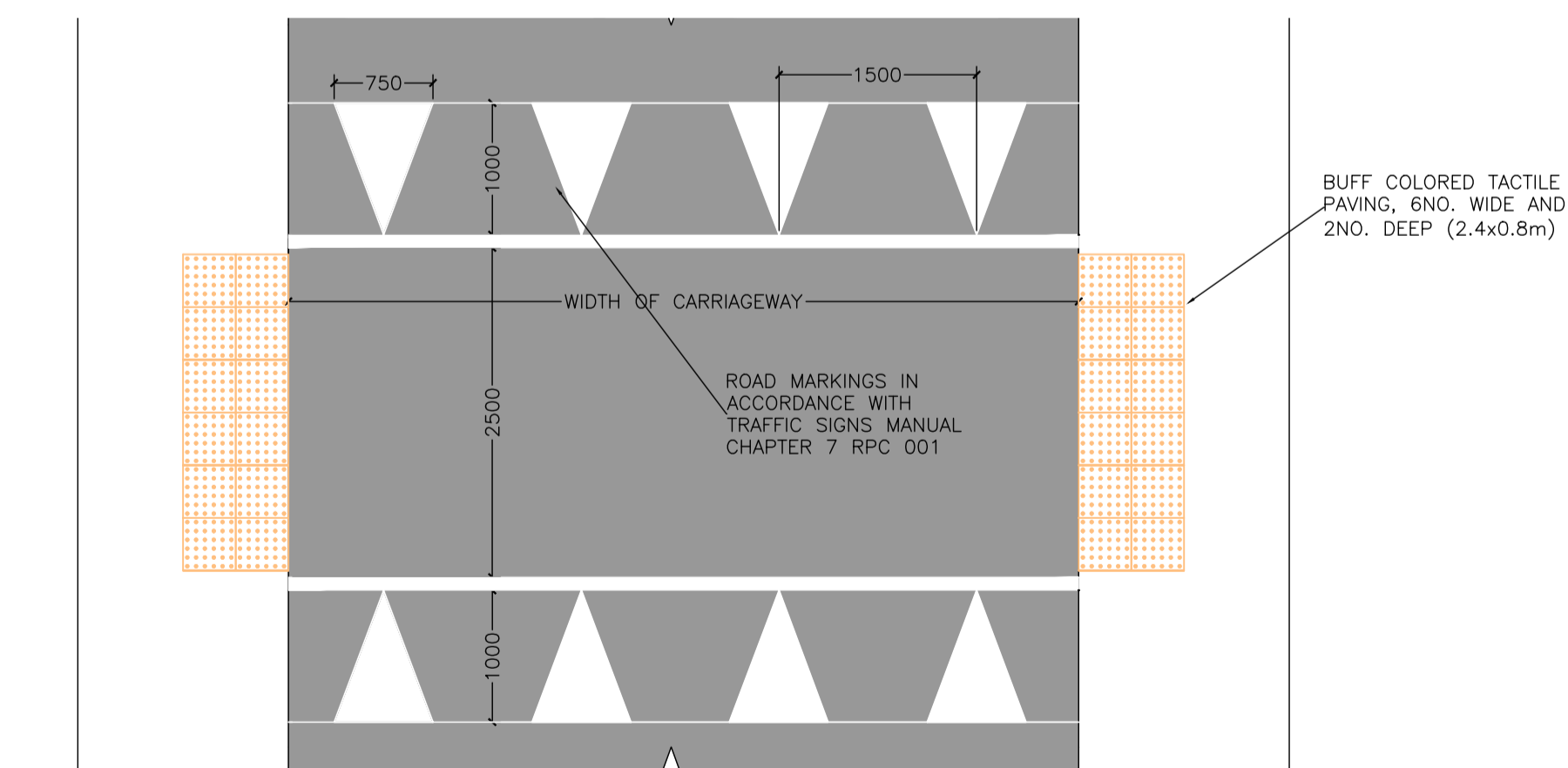
SCALE 1:10

- TRANSVERSE INDUCED JOINTS TO BE PROVIDED IN FOOTPATH @ 3m C/C. INDUCED JOINTS TO BE PROVIDED EITHER SIDE OF VEHICULAR CROSSINGS. PATH THICKNESS TO INCREASE TO 200mm @ VEHICULAR CROSSINGS. A252 MESH BOTTOM (50mm COVER) AT THICKENING LOCATIONS.
- 20mm EXPANSION JOINTS TO BE PROVIDED IN THE FOOTPATH @ 24m CENTERS



TYPICAL FOOTPATH AND KERB DETAIL

SCALE 1:25



TYPICAL DETAIL: RAISED CROSSING ON PUBLIC ROAD

SCALE 1:50

S2 - INFORMATION

© ORS  
This drawing and any design herein is the copyright of the Consultants and must not be reproduced without their written consent. All drawings remain the property of the Consultants.

Figured dimension only to be taken from this drawing. All dimensions to be checked on site. Consultants to be informed immediately of any discrepancies before work proceeds.

REV NO:	DATE:	REVISION NOTE:	DWN BY:	CKD BY:
P01	12/04/2021	ISSUED FOR INFORMATION	SG	MH
P02	28/07/2021	ISSUED FOR INFORMATION	SG	MH
P03	26/11/2021	ISSUED FOR INFORMATION	SG	MH

CLIENT:	AVENIR HOMES LTD.			
PROJECT:	THE GREEN QUARTER SHD AT CARTRONTROY, KILNAFADDOGE AND LISSYWOLLEN (TOWNLANDS), ATHLONE, CO. WESTMEATH			
TITLE:	TRAFFIC DETAILS			
DRAWN:	CHECKED:	APPROVED:	JOB NO:	REV:
SG	MH	MH	211_035	P03
DATE:	SCALE:	DRAWING NO:		
12/04/2021	1:10, 1:20, 1:50	211_035-ORS-XX-XX-DR-TR-702		

**ORS**

Dublin | London | Mullingar  
 T: +353 1 5242060 | W: www.ors.ie | E: info@ors.ie  
 ISO 9001:2008 QUALITY ASSURED COMPANY